



OEM-APPROVED GSE & TOOLING FOR CF34 ENGINES

*A global leader in the original design, development,
and manufacture of engine handling solutions:*

CLICK BELOW TO JUMP TO:

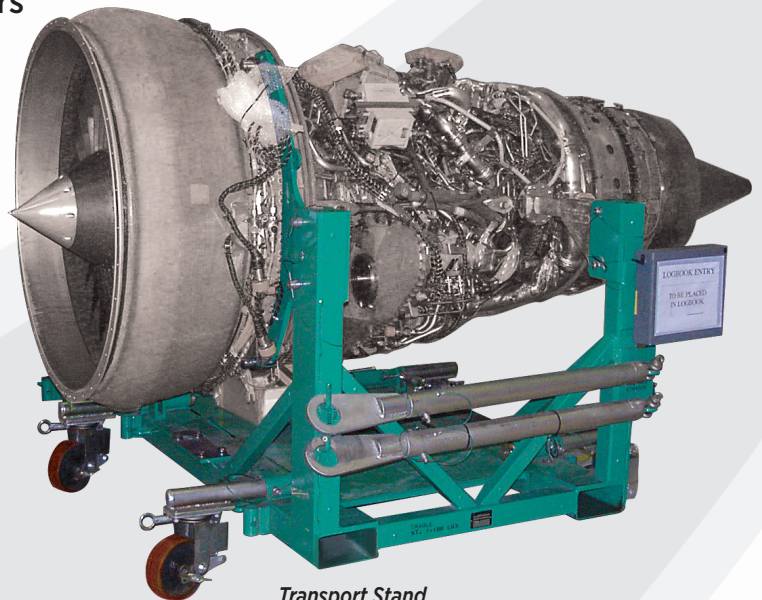
- Shipping Stands
- Shipping Containers
- Site Transport
- Lifting Slings
- Pedestal Sets
- Protective Covers

Approved by



Licensed for the following
CF34 variants:

ENGINE MODEL	AIRCRAFT APPLICATION(S)
CF34-10E	Embraer E190/195, Lineage 1000
CF34-10A	Comac C909
CF34-8E	Embraer E170/175
CF34-8C	Bombardier CRJ700 series Bombardier Challenger 870/890



Transport Stand
Engine OEM P/N: 2C81033



Empty Shipping Stands in Stacked Configuration
AGSE P/Ns: AGSE-E094/-E169



Lifting Sling with Transport Cart
Engine OEM P/N: 2C81007

CLICK ON ANY IMAGE OR PART NUMBER FOR MORE PRODUCT INFORMATION!



OEM-APPROVED FOR CF34 ENGINES
SHIPPING STANDS

SAFE & ERGONOMIC | DESIGNED, MANUFACTURED & TESTED IN-HOUSE
HIGHLY DURABLE | LOW PROFILE & VERSATILE
LOWEST TOTAL COST OF OWNERSHIP | SHORTEST LEAD TIMES

Airlines, aircraft hangars, and engine shops have trusted our reliable & rugged Shipping Stands for decades!

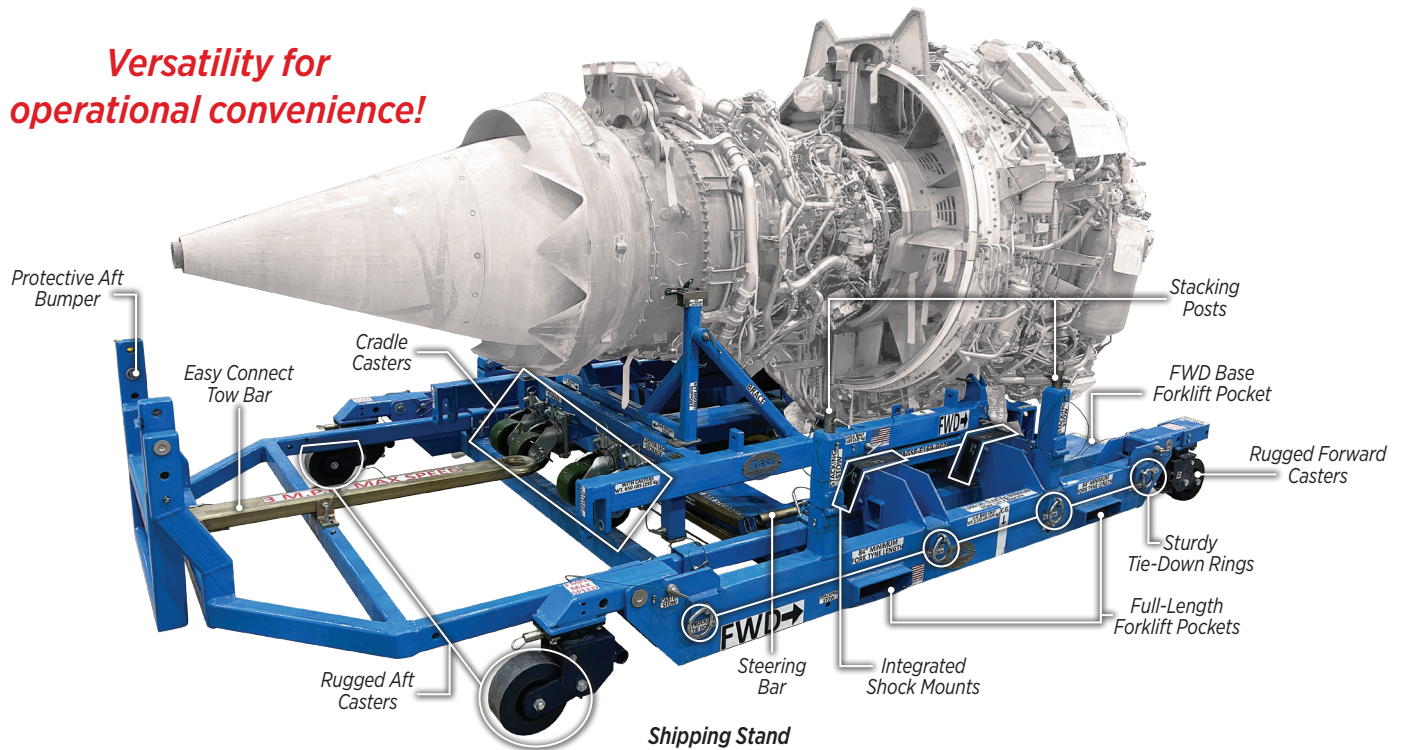
All Stands:

- Safely Transport & Store engines with inlet cowls*
- Support On-Wing Engine Removal & Installation through bootstrapping or alternate methods
- Integrate Shock-Absorbing Mounts to reduce vibrations for engine protection during transport
 - Include Tie-Down Rings for secure retainment during long-distance transport
- Contain Forklift Pockets for convenient site transport

Features on Select Models:

- Bumpers for forward & aft engine protection
- Stackable or foldable when empty to minimize shipping & storage volume
- Cradles, Inner Frames, or Transport Stands contain:
 - Casters for improved site transport
 - Support Legs for long-term storage
 - Forklift Pockets & Tow Bar to accommodate motorized site transport
- Forward Base Forklift Pockets for flexible forklift transport when empty
- Skids to prevent the base from contacting the ground
- Pneumatic Tires for extended towing over rougher surfaces

Versatility for operational convenience!



Shipping Stand
AGSE P/N: AGSE-E094/-E169

*AGSE Shipping Stands are designed and built in compliance with the specifications and requirements of the engine's equipment manufacturer (OEM). The customer is solely responsible for selecting the appropriate packaging based on all information, including the specific application, regulatory compliances, product compatibility, shipping requirements, and documentation issued by the Engine OEM. Any AGSE-referenced shipping information presented in this product literature or other AGSE documentation is for general guidance only. It should be considered a partial set of shipping requirements that can alter, satisfy, or influence regulatory and engine OEM shipping requirements. The content found in AGSE marketing materials and other documentation is subject to change; AGSE accepts no liability for loss or damage resulting from changes, errors, omissions, or misinterpretations of these AGSE publications.

GE Aerospace approves, qualifies, and recommends AGSE GSE & Tooling for safely handling CF34 engines.

www.agsecorp.com | +1.562.906.9300 | sales@agsecorp.com



OEM-APPROVED FOR CF34 ENGINES SHIPPING STANDS, CONTAINERS & SITE TRANSPORT

● = Available Feature

SHIPPING STANDS BY PART NUMBER*

PART NUMBER: Engine OEM AGSE	ENGINE WITH INLET COWL ACCOMMODATED	BUMPERS	STACKABLE WHEN EMPTY	FWD BASE FORKLIFT POCKETS	SKIDS	PNEUMATIC TIRES	FOR CRADLES, INNER FRAME, OR TRANSPORT STAND ONLY:		
							CASTERS	SUPPORT LEGS	FORKLIFT POCKETS & TOW BARS
AGSE-E094 (Cradle) AGSE-E169 (Base)	CF34-10E	●	●	●			●	●	
10C1301 AGSE-E186	CF34-10A	●	●	●			●		
2C81052 (Inner Frame) 2C81051 (Outer Frame)	CF34-8E	●	●		●		●		
2C81033 (Transport Stand) 2C81034 (Dolly)	CF34-8C					●	●		●
AGSE-E120	CF34-8C								

A Shipping Stand comprises a Cradle & Base, Inner Frame & Outer Frame, or Transport Stand & Dolly.

SHIPPING CONTAINERS

Fully enclosed to shield engines against contamination & damage!

PART NUMBER: Engine OEM	ENGINE(S) ACCOMMODATED	USED WITH OTHER EQUIPMENT	SHOCK-ABSORBING MOUNTS	TIE-DOWN RINGS	FORKLIFT POCKETS	SKIDS	PRESSURE RELIEF VALVE	REMOVABLE COVER FEATURES:		
								WIRE CAGE	LIFTING LINKS	DOCUMENT HOLDER
2C81008	CF34-8E CF34-8C	2C81007 (Lifting Sling)	●	●	●	●		●	●	●
2C81054	CF34-8E CF34-8C	2C81007 (Lifting Sling)	●	●	●	●	●		●	●

SITE TRANSPORT

Exceptional engine transport within a facility or between local sites!

PART NUMBER: Engine OEM AGSE	ENGINE(S) ACCOMMODATED	USED WITH OTHER EQUIPMENT	MAXIMUM TOWING SPEED WITH ENGINE	TIRE AXLE ASSEMBLY	PNEUMATIC TIRE BREAKDOWN DOLLY	TRANSPORT STAND WITH CASTERS	TOW BAR	MANUAL STEERING ADAPTER	AFT RING MOUNT
AGSE-E242	CF34-10E	AGSE-E169 (Base)	5 mph 8 km/h	●			●	●	
AGSE-E161	CF34-8E	2C81052 (Inner Frame)	5 mph 8 km/h		●		●		
2C81004	CF34-8E	2C81025 (Protective Cover)	3 mph 5 km/h						
	CF34-8C	2C81007 (Lifting Sling) 2C81025 (Protective Cover) 2C81080 (Main Mount Adapter)				●	●		●

*AGSE Shipping Stands are designed and built in compliance with the specifications and requirements of the engine's equipment manufacturer (OEM). The customer is solely responsible for selecting the appropriate packaging based on all information, including the specific application, regulatory compliances, product compatibility, shipping requirements, and documentation issued by the Engine OEM. Any AGSE-referenced shipping information presented in this product literature or other AGSE documentation is for general guidance only. It should be considered a partial set of shipping requirements that can alter, satisfy, or influence regulatory and engine OEM shipping requirements. The content found in AGSE marketing materials and other documentation is subject to change; AGSE accepts no liability for loss or damage resulting from changes, errors, omissions, or misinterpretations of these AGSE publications.

GE Aerospace approves, qualifies, and recommends AGSE GSE & Tooling for safely handling CF34 engines.





OEM-APPROVED FOR CF34 ENGINES LIFTING SLINGS, PEDESTAL SETS & PROTECTIVE COVERS

● = Available Feature

LIFTING SLINGS | Stable & versatile overhead support for horizontal build-up or Shipping Stand transfer!

PART NUMBER:	Engine OEM AGSE	ENGINE(S) ACCOMMODATED	USED WITH OTHER EQUIPMENT	MAXIMUM LOAD CAPACITY	CENTER OF GRAVITY ADJUSTMENT FEATURE	DRIVE SHAFT EXTENSION HANDLE	C-SHAPED LIFTING FRAMES	FORKLIFT POCKETS	TRANSPORT CART
10C1043		CF34-10E	10C1025 (Pedestal Set)	6,200 lbs 2,812 kg	Lifting Eye & Trolley Assembly	●			
		CF34-10A							
10C1288		CF34-10E	AGSE-E094 (Cradle)	7,500 lbs 3,402 kg	Lifting Eye & Trolley Assembly	●			
10C1306†		CF34-10E		3,000 lbs 1,361 kg					
		CF34-10A							
AGSE-L034		CF34-10A	10C1301 (Cradle)	7,000 lbs 3,175 kg	Lifting Eye & Trolley Assembly	●	●	●	
2C81007		CF34-8E	2C81052 (Inner Frame) 2C81008, 2C81054 (Shipping Containers)	3,000 lbs 1,361 kg	Lifting Eye & Trolley Assembly				●
		CF34-8C	2C81008, 2C81054 (Shipping Containers) 2C81004 (Transport Stand)						
2C81062		CF34-8E	2C81052 (Inner Frame)	3,500 lbs 1,588 kg	Hanger & Pin-Mounted Sleeve				
2C81000		CF34-8C		3,000 lbs 1,361 kg	Lifting Eye & Trolley Assembly				●

†Two (2) Lifting Slings are required to lift an engine.

PEDESTAL SETS | Another ideal horizontal build-up solution to achieve ergonomically efficient engine centerline heights!

PART NUMBER:	Engine OEM AGSE	ENGINE(S) ACCOMMODATED	MODULE SUPPORTED	NUMBER OF PEDESTALS PER MODULE	MAXIMUM LOAD CAPACITY PER MODULE	ACHIEVES ENGINE CENTERLINE HEIGHT OF:	SITE TRANSPORT ACCOMMODATION	USED WITH OTHER EQUIPMENT	OTHER ENGINES ACCOMMODATED
AGSE-T016		CF34-10E	Fan	2	3,900 lbs 1,769 kg	63.5" 161 cm	Ball Transfers, Forklift Pockets		CF6, CFM56, PW2000, PW4000, PW6000, RB211, Trent, V2500
			LPT	2	800 lbs 363 kg				
10C1025		CF34-10E	FWD Fan Module	2					
			Aft Fan Module	2	2,250 lbs 1,021 kg	48" 122 cm	Casters	10C1043 (Lifting Slings)	
			HPC Case	2					
			LPT Rear Frame	2					
			LPT Shaft	1	1,125 lbs 510 kg				
10C1324		CF34-10A	FWD Fan Module	2	10,000 lbs 4,536 kg				
			Aft Fan Module	2	5,000 lbs 2,268 kg	60" 152 cm	Casters		
			HPC Case	1	10,000 lbs 4,536 kg				
			LPT Rear Frame	2	3,000 lbs 1,361 kg				
			LPT Shaft	1					

PROTECTIVE COVERS | Lasting defense against dirt, water, and contamination!

PART NUMBER: Engine OEM AGSE	ENGINE(S) ACCOMMODATED	USED WITH OTHER EQUIPMENT	PROTECTS:														
			FULL ENGINE	FAN INLET	FAN CASING INLET	FAN EXHAUST	EXHAUST FRAME	FAN DISCHARGE	HPC	HPT	LPT FRONT/AFT	OIL TANK	FMU MANIFOLD	FAN SPINNER	COMPRESSOR INLET	AGB	
10C1140	CF34-10E	AGSE-E094 (Cradle)	●														
	CF34-10A	10C1301 (Shipping Stand)															
10C1130	CF34-10E			●					●	●	●	●					
	CF34-10A																
2C81068	CF34-8E	2C81052 (Inner Frame) 2C81073 (Protective Cover)	●														
2C81047	CF34-8C	2C81033 (Transport Stand)	●														
2C81025	CF34-8E	2C81004 (Transport Stand)	●														
	CF34-8C																
2C81019	CF34-8E				●												
	CF34-8C																
2C81026	CF34-8E							●									
	CF34-8C																
2C81048	CF34-8E												●				
	CF34-8C																
2C81049	CF34-8E													●			
	CF34-8C																
2C81073	CF34-8E	2C81052 (Inner Frame) 2C81068 (Protective Cover)														●	
	CF34-8C																
2C81213	CF34-8E																●
	CF34-8C																
2C81605	CF34-8E																
	CF34-8C																●

GE Aerospace approves, qualifies, and recommends AGSE GSE & Tooling for safely handling CF34 engines.

www.agsecorp.com | +1.562.906.9300 | sales@agsecorp.com

©2025 AGSE-Westmont Industries. All rights reserved. R.1.31.25

