



OEM-APPROVED GSE & TOOLING FOR CFM56 ENGINES

*A global leader in the original design, development,
and manufacture of engine handling solutions:*

CLICK BELOW TO JUMP TO:

- Shipping Stands
- Site Transport
- Protective Covers
- Pedestal Sets
- Module Shipping Containers
- Lifting Slings
- Self-Erecting Gantries
- Bootstrap Systems
- Line Maintenance & Shop Tooling for:
 - CFM56-7B
 - CFM56-5

Approved by



Licensed for the following
CFM56 variants:

ENGINE MODEL	AIRCRAFT APPLICATION(S)
CFM56-3	Boeing 737 Classic
CFM56-5A	Airbus A319, A320
CFM56-5B	Airbus A320 family
CFM56-5C	Airbus A340-200/-300
CFM56-7B	Boeing 737 Next Generation



CFM56-7B Shipping Stand

AGSE P/N's: AM-2811 (Cradle) & AM-2563 (Base)

CLICK ON ANY IMAGE OR PART NUMBER FOR MORE PRODUCT INFORMATION!



OEM-APPROVED FOR CFM56 ENGINES
SHIPPING STAND FEATURES

SAFE & ERGONOMIC | DESIGNED, MANUFACTURED & TESTED IN-HOUSE
HIGHLY DURABLE | LOW PROFILE & VERSATILE
LOWEST TOTAL COST OF OWNERSHIP | SHORTEST LEAD TIMES

Airlines, aircraft hangars, and engine shops have trusted our reliable & rugged Shipping Stands for decades!

All Stands:

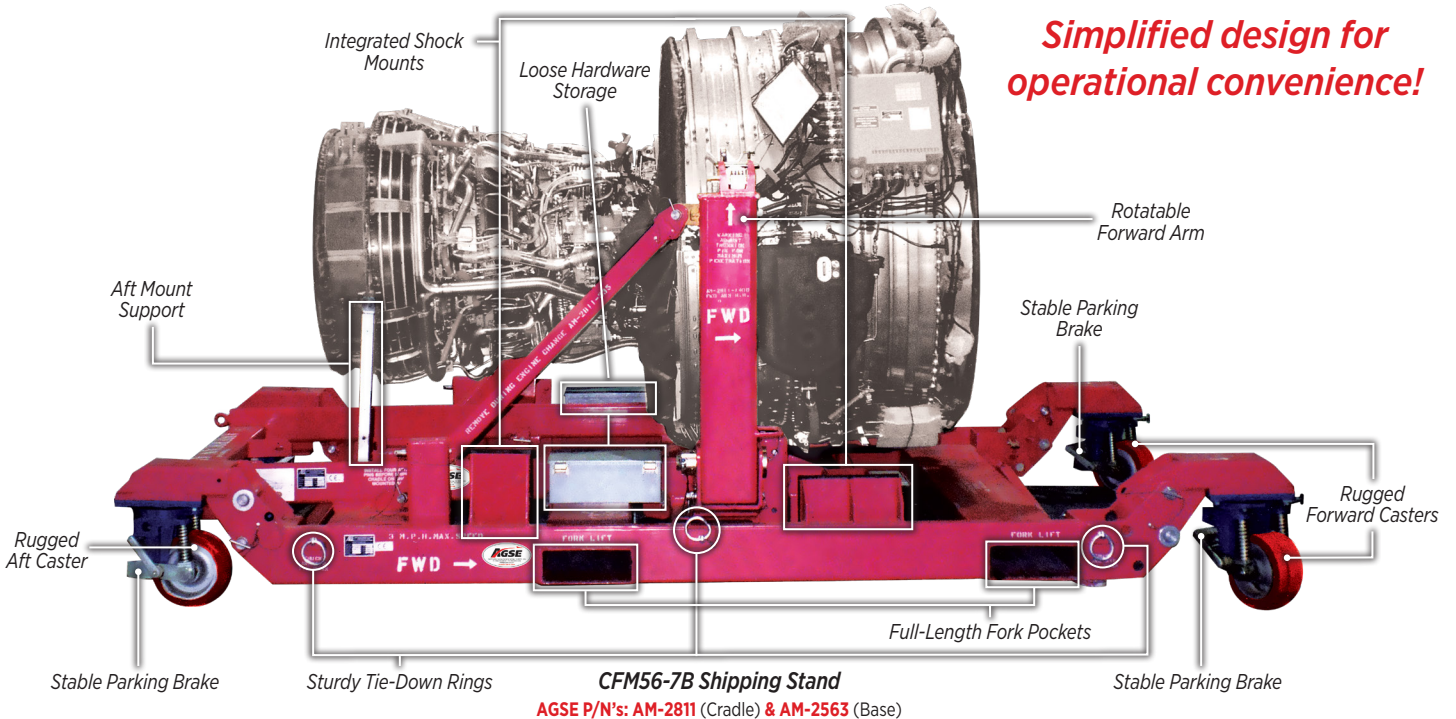
- Safely Transport & Store engines*
- Support On-Wing Engine Removal & Installation through bootstrapping or alternate methods
- Integrate Shock-Absorbing Mounts to reduce vibrations for engine protection during transport
 - Include Tie-Down Rings for secure retainment during long-distance transport
 - Contain Forklift Pockets for convenient site transport

Features on Select Models:

- Rail-Mounted Base for efficient cradle rail transfer
- Cradles with:
 - Support Legs for long-term storage
 - Forklift Pockets to accommodate motorized site transport
 - Loose Hardware Storage Containers
 - Rotatable FWD Arms or Mounts to streamline engine installation
- Stackable or foldable when empty to minimize shipping & storage volume

Optional Accessories:

- Bumpers to protect the inlet cowl & tail cone
- Exhaust Nozzle Support



Simplified design for operational convenience!

*AGSE Shipping Stands are designed and built in compliance with the specifications and requirements of the engine's equipment manufacturer (OEM). The customer is solely responsible for selecting the appropriate packaging based on all information, including the specific application, regulatory compliances, product compatibility, shipping requirements, and documentation issued by the Engine OEM. Any AGSE-referenced shipping information presented in this product literature or other AGSE documentation is for general guidance only. It should be considered a partial set of shipping requirements that can alter, satisfy, or influence regulatory and engine OEM shipping requirements. The content found in AGSE marketing materials and other documentation is subject to change; AGSE accepts no liability for loss or damage resulting from changes, errors, omissions, or misinterpretations of these AGSE publications.

CFM International, GE Aerospace, or Safran Aircraft Engines approves, qualifies, and recommends AGSE GSE & Tooling for safely handling CFM56 engines.



OEM-APPROVED FOR CFM56 ENGINES SHIPPING STANDS

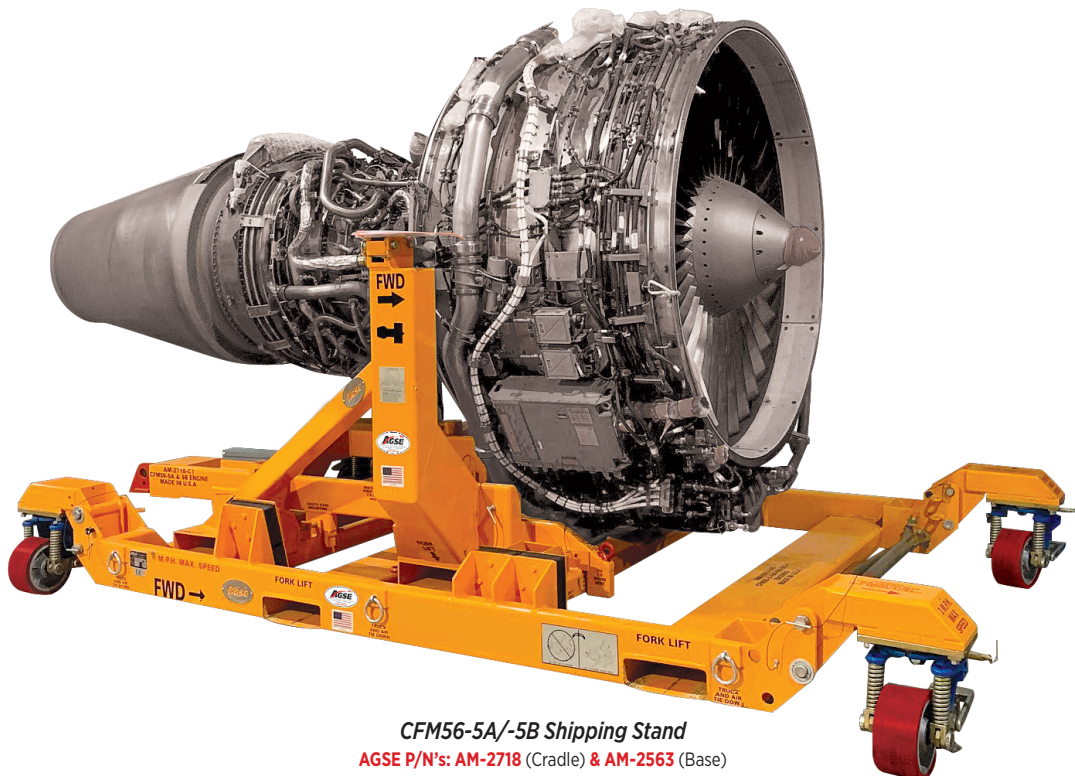
● = Available Feature

SHIPPING STANDS BY PART NUMBER

PART NUMBER: AGSE	ENGINE(S) ACCOMMODATED	CRADLE FEATURES					WHEN EMPTY		RAIL-MOUNTED BASE	OPTIONAL ACCESSORIES		LEASE OPTION
		SUPPORT LEGS	FORKLIFT POCKETS	LOOSE HARDWARE STORAGE	ROTATABLE FWD		FOLDABLE	STACKABLE		BUMPERS	EXHAUST NOZZLE SUPPORT	
AM-2811 (Cradle) AM-2563 (Base)	CFM56-7B	●	●	●	●		●	●		●		★
AM-2718 (Cradle) AM-2563 (Base)	CFM56-5A/-5B	●	●							●		★
AGSE-E208 (Cradle) AM-2563 (Base)	CFM56-5A/-5B	●	●				●			●		★
AGSE-E043 (Cradle) AM-2510 (Base)	CFM56-5A/-5B								●			
AM-2387 (Cradle) AM-2563 (Base)	CFM56-5C	●	●	●						●	●	
AM-1802 (Cradle) AM-2563 (Base)	CFM56-3	●	●			●				●		

A Shipping Stand comprises a Cradle & Base.

★ Available through our Leasing Cooperation with Click to learn more.



CFM56-5A/-5B Shipping Stand
AGSE P/N's: AM-2718 (Cradle) & AM-2563 (Base)

CFM International, GE Aerospace, or Safran Aircraft Engines approves, qualifies, and recommends AGSE GSE & Tooling for safely handling CFM56 engines.

www.agsecorp.com | +1.562.906.9300 | sales@agsecorp.com



OEM-APPROVED FOR CFM56 ENGINES SITE TRANSPORT & PROTECTIVE COVERS

● = Available Feature

ENGINE SITE TRANSPORT

Exceptional engine transport within a facility or between local sites!

PART NUMBER: AGSE	ENGINE(S) ACCOMMODATED	TYPE:				USED WITH OTHER EQUIPMENT		TOW BAR	DISASSEMBLES WHEN EMPTY	BOOTSTRAP CAPABLE
		PNEUMATIC TIRE DOLLY	LOW PROFILE SHOP DOLLY	LIGHTWEIGHT BREAKDOWN STAND	CRADLE CASTER KIT	CRADLE(S)	BASE(S)			
AM-1686	CFM56-7B	●				AM-2811		●		
	CFM56-5A/-5B					AM-2718				
	CFM56-5C					AM-2387				
	CFM56-3					AM-1802				
AGSE-V094	CFM56-7B		●				AM-2563	●		
	CFM56-5A/-5B									
	CFM56-5C									
	CFM56-3									
AGSE-E058	CFM56-7B			●			●	●	●	
AGSE-E016	CFM56-3			●			●	●	●	
	CFM56-7B									
AM-1961	CFM56-7B				●	AM-2811				
	CFM56-5A/-5B					AM-2718				
	CFM56-5C					AM-2387				
	CFM56-3					AM-1802				

INLET COWL DOLLIES

Sturdy and convenient alignment for inlet cowl removal and installation!

PART NUMBER: AGSE	AIRCRAFT ACCOMMODATED	RETAINMENT		SUPPORT PAD ADJUSTMENT		MOBILITY			DISASSEMBLES/FOLDS WHEN EMPTY	OTHER AIRCRAFT ACCOMMODATED
		LUGS & TURNBUCKLES	STRAP(S)	VERTICAL CASTER LEVELING JACKS	"PITCH & ROLL" JACKSCREWS	TOW BAR	FORKLIFT POCKETS	MANUAL ONLY		
AGSE-E092	Boeing 737 Next Generation	●				●	●			
AGSE-T073	Boeing 737-800		●	●				●	●	
	Boeing 737-700									
	Boeing 737-600									
	Boeing 737 Classic									
AM-2302	Airbus A340-200/-300		●		●	●		●	Boeing 747 Airbus A330, A340-500/-600	

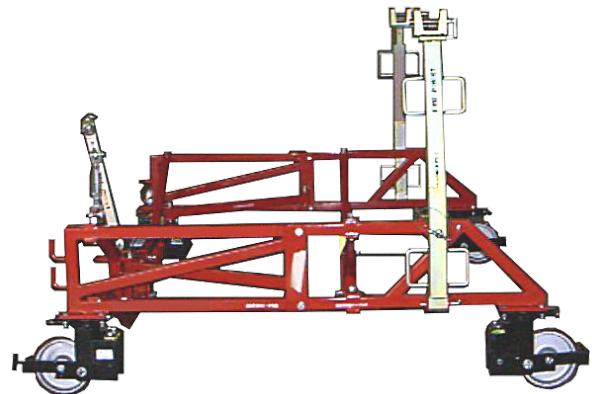
PROTECTIVE COVERS

Lasting defense against dirt, water, and contamination!

PART NUMBER: Engine OEM	ENGINE(S) ACCOMMODATED	ACCOMMODATES:	
		QEC ENGINE	BARE ENGINE
856A3700	CFM56-7B	●	●
856A2782	CFM56-5A	●	●
856A2930	CFM56-5B	●	●
856A2330	CFM56-5C	●	●
856A3505	CFM56-3	●	
856A3595	CFM56-3		●



Pneumatic Tire Dolly with AM-2811 Cradle
AGSE P/N: AM-1686



Lightweight Breakdown Stand
AGSE P/N: AGSE-E058

CFM International, GE Aerospace, or Safran Aircraft Engines approves, qualifies, and recommends AGSE GSE & Tooling for safely handling CFM56 engines.

www.agsecorp.com | +1.562.906.9300 | sales@agsecorp.com





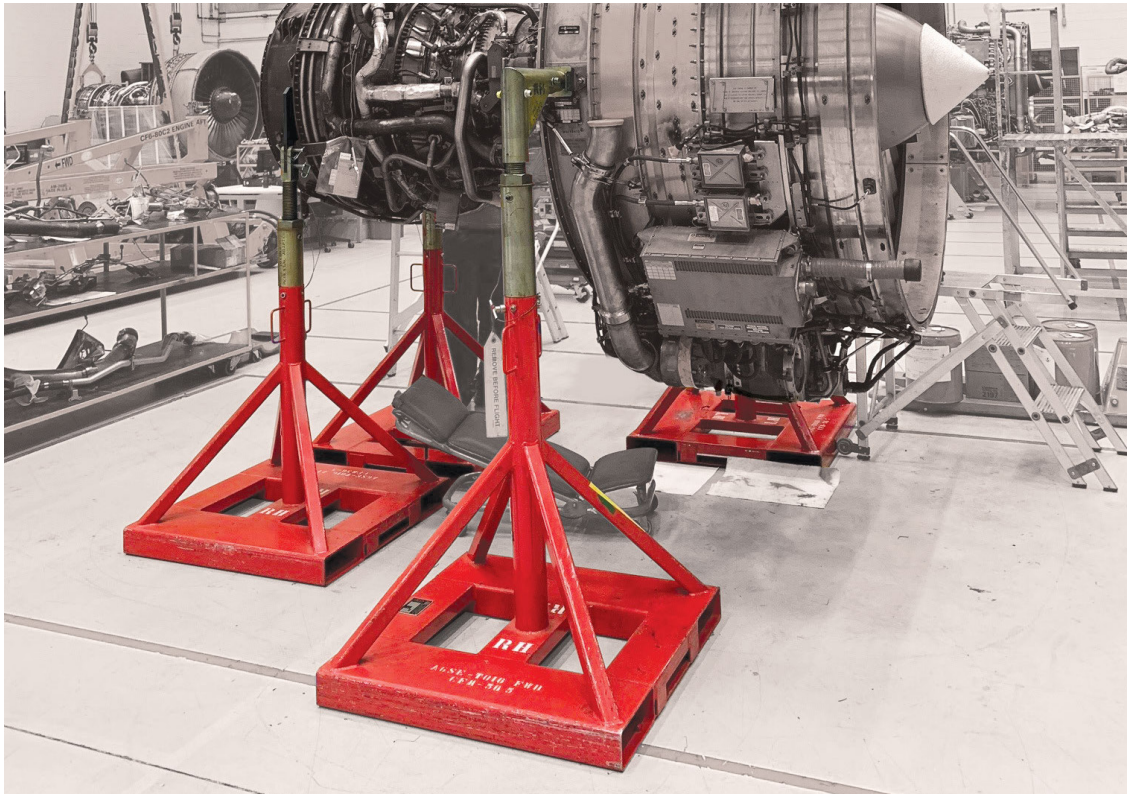
OEM-APPROVED FOR CFM56 ENGINES PEDESTAL SETS

An ideal horizontal build-up solution to achieve ergonomically efficient engine centerline heights!

● = Available Feature

AGSE PEDESTAL SETS (AGSE-T016)						
ENGINE(S) ACCOMMODATED	MODULE SUPPORTED	NUMBER OF PEDESTALS PER MODULE	MAXIMUM LOAD CAPACITY PER MODULE	ACHIEVES ENGINE CENTERLINE HEIGHT OF:	SITE TRANSPORT ACCOMMODATION	OTHER ENGINES ACCOMMODATED
CFM56-7B	Fan	2	7,000 lbs 3,175 kg	60" 152 cm	Ball Transfers, Forklift Pockets	CF6, CF34, PW2000, PW4000, PW6000, RB211, Trent, V2500
	LPT	2	6,000 lbs 2,722 kg			
CFM56-5A/-5B/-5C	Fan	2	7,000 lbs 3,175 kg	69" 175 cm		
	LPT	2	4,000 lbs 1,814 kg			
CFM56-3	Fan	2	7,000 lbs 3,175 kg	56" 142 cm		
	LPT	2	2,000 lbs 1,225 kg			

ENGINE OEM PEDESTAL SETS (856A1312)											
ENGINE(S) ACCOMMODATED					MODULE SUPPORTED	NUMBER OF PEDESTALS PER MODULE	MAXIMUM LOAD CAPACITY PER MODULE	ACHIEVES ENGINE CENTERLINE HEIGHT OF:	SITE TRANSPORT ACCOMMODATION	USED WITH OTHER EQUIPMENT	
CFM56-7B	CFM56-5A	CFM56-5B	CFM56-5C	CFM56-3						LIFTING SLING(S)	SUPPORT PAD(S)
●	●	●	●	●	FWD Fan	2	6,000 lbs 2,722 kg	65.4" 166 cm	Casters	856A2509	856A2651
					Aft Fan	2	4,000 lbs 1,814 kg				
					HPC	2	6,000 lbs 2,722 kg				
					LPT	2					
					HPT	1	485 lbs 220 kg				



Universal Pedestal Set
AGSE P/N: AGSE-T016

CFM International, GE Aerospace, or Safran Aircraft Engines approves, qualifies, and recommends AGSE GSE & Tooling for safely handling CFM56 engines.

www.agsecorp.com | +1.562.906.9300 | sales@agsecorp.com





OEM-APPROVED FOR CFM56 ENGINES MODULE SHIPPING CONTAINERS

Fully enclosed to shield critical modules against contamination & damage!

● = Available Feature

MODULE SHIPPING CONTAINERS BY PART NUMBER

PART NUMBER: Engine OEM AGSE	ENGINE(S) ACCOMMODATED	ACCOMMODATES:										
		FAN (MAJOR MODULE 1)	FAN & BOOSTER (MODULE 1)	NO. 1 & 2 BEARING (MODULE 2)	FAN BLADES	CORE (MAJOR MODULE)	LPT & SHAFT (MAJOR MODULE 3)	LPT (MODULE 13)	LPT SHAFT (MODULE 14)	LPT FRAME (MODULE 15)	ACCESSORY DRIVE MODULE TGB (MODULE 16)	AGB (MODULE 17)
AGSE-C012	CFM56-7B			●								
AGSE-C021								●				
856A3587 AGSE-C024											●	
856A3588 AGSE-C025												●
AGSE-C026			●									
AGSE-C034						●						
AGSE-C049							●					
AM-2132	CFM56-5A		●									
AM-2133				●								
AM-2134								●				
AM-2135									●			
AM-2136										●		
AM-2137											●	
AM-2138												●
AM-2139			●									
AM-2140												
AM-2141								●				
AGSE-C009	CFM56-5B		●									
AGSE-C010				●								
AGSE-C049							●					
AM-2137										●		
AM-2138												●
AGSE-C049	CFM56-5C						●					
AM-2137										●		
AM-2138											●	
AM-2519				●								
AM-2520					●							
AM-2521								●				
856A2568 AM-2522									●			
AM-2523										●		
AM-2526			●									
AM-2527												●
856A3333	CFM56-3						●					
856A3337								●				
856A3338									●			
856A3339										●		
856A3584 AGSE-C043											●	
856A3586 AGSE-C007				●								
856A3587											●	
856A3588												●
856A3603 AGSE-C008					●							

CFM International, GE Aerospace, or Safran Aircraft Engines approves, qualifies, and recommends AGSE GSE & Tooling for safely handling CFM56 engines.

www.agsecorp.com | +1.562.906.9300 | sales@agsecorp.com





OEM-APPROVED FOR CFM56 ENGINES LIFTING SLINGS & BOOTSTRAP SYSTEMS

● = Available Feature

ENGINE LIFTING SLING

Stable & versatile overhead support for horizontal build-up or Shipping Stand transfer!

PART NUMBER: Engine OEM AGSE	ENGINE(S) ACCOMMODATED	MAXIMUM LOAD CAPACITY	CENTER OF GRAVITY ADJUSTMENT FEATURE	TWO (2) SPREADER BEAMS	FORKLIFT POCKETS	USED WITH OTHER EQUIPMENT		OTHER ENGINES ACCOMMODATED
						PEDESTAL SET(S)	CRADLE(S)	
856A2645	CFM56-7B	7,700 lbs / 3,493 kg	Crank Handle	●				
	CFM56-5A							
	CFM56-5B							
	CFM56-5C							
	CFM56-3							
AM-2106	CFM56-7B	6,800 lbs / 3,084 kg	Hand Wheel		●			CF6, PW2000, PW4000, RB211, V2500
	CFM56-5A	6,900 lbs / 3,130 kg						
	CFM56-5B	7,000 lbs / 3,175 kg						
	CFM56-5C	7,500 lbs / 3,402 kg						
	CFM56-3	5,750 lbs / 2,608 kg						
856A2509	CFM56-5A	6,500 lbs / 2,948 kg	Crank Handle	●		856A1312		
	CFM56-5B							
	CFM56-3							
AGSE-L006	CFM56-5A/-5B	18,000 lbs / 8,165 kg	Lifting Shackles	●			AM-2718	CF6
AGSE-L012	CFM56-3	16,000 lbs / 7,257 kg	Lifting Shackles	●			AM-1802	CF6, RB211, V2500
AM-1949	CFM56-3	10,000 lbs / 4,536 kg	Lifting Shackles	●	●			

MODULE LIFTING SLINGS & ACCESSORIES

Readily interfaces with engine components for optimal overhead handling!

PART NUMBER: Engine OEM	ENGINE(S) ACCOMMODATED	EQUIPMENT TYPE						USED WITH OTHER EQUIPMENT						
		LIFTING BEAM	3-LEGS SLING	EXTENSION BEAM (VARIABLE CG LIFT FIXTURE)	MAXIMUM LOAD CAPACITY	AGB	BOOSTER SPOOL	FAN DISK	FAN FRAME	LPT CASE	LPT & SHAFT	NO. 1 & 2 BEARING	FIXTURE(S)	HANDLING: TOOL SET(S)
856A3710	CFM56-7B	●			4,400 lbs 1,996 kg		●	●	●	●	●			
	CFM56-5B													
	CFM56-5C													
856A2627	CFM56-7B	●			2,420 lbs 1,098 kg		●	●		●	●	856A2309, 856A2358, 856A2360, 856A2382 856A2387	856A2351, 856A2385	
	CFM56-5A													
	CFM56-5B													
	CFM56-5C													
	CFM56-3													
856A3519	CFM56-7B		●		441 lbs 200 kg	●								
	CFM56-5A													
	CFM56-5B													
	CFM56-5C													
	CFM56-3													
856A3515	CFM56-7B			●	825 lbs 374 kg						●	856A3503		856A3512
	CFM56-5A													
	CFM56-5B													
	CFM56-5C													
	CFM56-3													

SELF-ERECTING GANTRIES

A dynamic solution for unscheduled maintenance or split engine operations!

PART NUMBER: AGSE	ENGINE ACCOMMODATED	ADJUSTABLE RAIL SPACINGS	HOISTS			ENGINE LOADING/UNLOADING MOBILITY	USED WITH HANGER TOOL	OTHER ENGINES ACCOMMODATED
			LEFT RAIL (ADJUSTABLE)	CENTER RAIL	RIGHT RAIL (ADJUSTABLE)			
AGSE-Y002	CFM56-5B	<ul style="list-style-type: none"> • 144" 366 cm • 120" 305 cm • 96" 244 cm • 58" 147 cm • 48" 122 cm 	2 x 4-Ton	1 x 10-Ton	2 x 4-Ton	"Primary" Casters on Track Assembly	AGSE-T087	GE90, PW1100G, PW4000, Trent

MANUAL BOOTSTRAP SYSTEMS

All-in-one solutions to simplify bootstrap operations!

PART NUMBER: AGSE	AIRCRAFT APPLICATION	ENGINE ACCOMMODATED	MAXIMUM LOAD CAPACITY		USED WITH OTHER EQUIPMENT	
			FORWARD BEAM	AFT BEAM	CRADLE(S)	LIGHTWEIGHT BREAKDOWN STAND(S)
AM-1916	Boeing 737-300	CFM56-3	7,000 lbs 3,175 kg	2,000 lbs 907 kg	AGSE-E206, AM-1802	AGSE-E016

CFM International, GE Aerospace, or Safran Aircraft Engines approves, qualifies, and recommends AGSE GSE & Tooling for safely handling CFM56 engines (except AGSE-Y002). The Boeing Company recommends AGSE GSE & Tooling for interfacing with CFM56 inlet cowls.



OEM-APPROVED FOR CFM56-7B ENGINES LINE MAINTENANCE & SHOP TOOLING

**EXPERT CONSULTATION | COMPETITIVE PRICING | SHORT LEAD TIMES
QUICK TURN REPAIRS | ROUND-THE-CLOCK AOG SUPPORT**

LINE MAINTENANCE

PART NUMBER: Engine OEM	DESCRIPTION
856A2609	Block, Jacking - Fuel Pump & MEC Package
856A2668	Kit, Puller Adapters
856A2682	Kit, Eddy Current Inspection - Fan Blades
856A2686	Hand Cranking Drive Socket
856A2691	Pliers, Removal - Spacers
856A2953	Pins, Guide - Stator Alternator
856A2956	Assistance Tool - Ring Fan
856A2957	Tool Set, Assembly/Disassembly - Lubrication Unit Scavenge Filter Housing
856A2958	Coupling Plate - VBV Actuator
856A2961	Tool, Installation/Removal - AGB Sealol & Magnetic Seal
856A3074	Riveter, Balance Weights - Booster
856A3519	Sling, Three (3) Legs - AGB Handling
856A3525	Cradle, Installation/Removal - AGB
856A3557	Tool, D-Seal Fitting - Lubrication Unit Magnetic Plug
856A3576	Tool, Installation/Removal - Sealol & Magnetic Seals
856A3583	Leak Test - Sealol Seals
856A3598	Cradle, Installation/Removal - Fuel Pump & MEC Package
856A3604	Wrench - Horizontal Drive Shaft Nut
856A3617	Puller/Pusher - Lubrication Unit Magnetic Plug
856A3708	Puller/Pusher - Radial Drive Shaft
856A3709	Fixture, Alignment - AGB
856A3726	Floor, Protective - Fan Inlet Case
856A3728	Adapter, Sealing Plate & Locking - Core Engine
856A3770	Software, Mapping - Fan Blades
856A3771	Template, Check - Fan Blade Leading Edge
856A3778	Pins, Guide - Spinner Rear Cone
856A3779	Puller - Fan Blade Platform
856A3782	Wrench, Removal - Fan Blade Retainer Ring
856A4624	Fixture, Scouring - Fan Case Abradable Strip
856A4628	Template - Fan Blade Root
856A4637	Tool, Inspection - Booster Spool Forward Flange
856A4640	Tool, Inspection - Fan Disk Lugs
856A4646	Gauge, Wear - Fan Blade Rear Shank
856A5564	Kit, Resurfacing - Spherical End Tube Coupling
856A5807	Spiral Stencil - Front Cone

FAN & BOOSTER

856A2316	Wrench, Loosen/Torque - LPT Coupling Nut
856A2555	Beam, Lifting - Fan Frame
856A2625	Stand, Storage - LP Booster
856A2644	Tool, Holding - Fan Disk
856A2655	Fixture, Installation/Removal - Radial Drive Shaft Housings
856A2663	Adapter, Puller - Splitter Fairing
856A2694	Tool, Installation - Inner Housing

FAN & BOOSTER (CONTINUED)

PART NUMBER: Engine OEM	DESCRIPTION
856A3501	Fixture, Alignment/Guide - Booster to LPT Shaft
856A3504	Fixture, Puller/Pusher - Module 1 & Major Module 3
856A3524	Tool Set, Drive Adapter - Booster & LPT
856A3702	Centering Sleeve, Installation/Removal - Major Module 3
856A3703	Guide, Countertorque Wrench
856A3704	Beam, Torque Adaptation
856A3723	Fixture, Guiding & Pulling - Booster
856A3724	Tool Set, Sighting - Fan Disk Coupling Bolts
856A3725	Wrenches, Loosen/Torque - Fan Disk Coupling Bolts
856A3732	Fixture, Handling - Booster Rotor/Stator
856A5684	Kit, Eddy Current Inspection - Fan Disk Inside Dia.
856A5945	Master, Alignment - LPT Shaft

NO. 1 & NO. 2 BEARING

856A2336	Puller - FWD Rotating Air/Oil Separator
856A2609	Block, Jacking - Fuel Pump & MEC Package
856A2626	Stand, Storage - No. 2 Bearing Support
856A2640	Holder - Ring Oil Separator
856A2662	Tool Set - Masters Air Nozzles
856A2667	Tool, Check - AD2 Circular Runout
856A2745	Tool, Thickness Gauge - Phonic Wheel
856A2923	Guide - No. 1 Bearing Support
856A3011	Plug, Extraction - Main Components Removal/Fan Shaft
856A3012	Puller - No. 2 Bearing Inner Race
856A3013	Puller - N 1 Sensor Ring
856A3033	Nut, Retaining - No. 1 Bearing Sleeve
856A3267	Adapter, Test Rig - No. 1 & 2 Bearing Support, Air Flow Check
856A3323	Bushing, Center - No. 1 Ball Bearing
856A3489	Tool Set, Targets - No. 1 Bearing Air Impingement Checks
856A3556	Tool, Loading - No. 1 Bearing LHA 34 Dim. Measurement
856A3570	Wrench - No. 2 Bearing Inner Race Seal Retainer
856A3571	Wrench - FWD Rotating Air/Oil Separator Nut
856A3572	Wrench - No. 1 Bearing Inner Race Nut
856A3628	Tool, Installation - No. 1 Bearing Inner Race
856A3721	Adapter Tool Set, Lift & Turn - No. 1 & 2 Bearing Support
856A3722	Dummy - Fan Disk
856A3736	Template, Locating - Drain Tube & Oil Bearing 1 Tube

CORE

856A2812	Fixture, Dolly - HP Torque
856A2818	Dolly, Tool Seating Check - Core
856A2821	Washer, Lube Protective - No. 4 Bearing Retainer
856A2822	Fixture, Torque - No. 4 Bearing Retainer
856A2868	Protector - Fan Shaft

Contact Your Regional Sales Director to Discover Additional OEM-Approved CFM56 Tooling!

CFM International, GE Aerospace, or Safran Aircraft Engines approves, qualifies, and recommends AGSE GSE & Tooling for safely handling CFM56 engines.

www.agsecorp.com | +1.513.402.7246 | toolingsales@agsecorp.com





OEM-APPROVED FOR CFM56-7B ENGINES LINE MAINTENANCE & SHOP TOOLING

**EXPERT CONSULTATION | COMPETITIVE PRICING | SHORT LEAD TIMES
QUICK TURN REPAIRS | ROUND-THE-CLOCK AOG SUPPORT**

LPT	
PART NUMBER: Engine OEM	DESCRIPTION
856A2568	Ring, Lifting - LPT Shaft Aft
856A2577	Ring, Locating - No. 5 Bearing Rollers
856A2600	Tool, Guide & Stop - LPT Shaft
856A2618	Fixture, Holding - Rotor/Stator
856A2647	Stand, Transportation/Storage - LPT
856A2660	Gauge, Measure - Axial Clearance LPT
856A2661	Puller - Aft Rotating Air/Oil Separator
856A2674	Cover, Protection - LPT Shaft
856A2676	Gauge, Check - Clearance M01B LPT
856A2677	Fixture, Installation & Removal - Removable Retaining Ring
856A2685	Adapter, Puller - Cover Oil Inlet
856A2692	Kit, Eddy Current Inspection - TRF
856A2702	Pin, Guide - No. 5 Bearing Support
856A2710	Fixture, Handling - LPT
856A2713	Fixture, Build Up - LPT Shaft to LPT
856A2714	Fixture, Hoist - LPT Rotor/Stator
856A2722	Pins, Guide - Turbine Frame to LPT Case
856A2729	Fixture, Handling/Turn - LPT Case
856A2731	Support, Sectors - LPT Shaft to LPT
856A2750	Fixture - LPT Blades, Stg. 1 through 4
856A2752	Hooks, Restrain - Air Seal to LPT Disk 2 & 4
856A2755	Tool Set - Seals onto Cone Stub Shaft
856A2756	Diffuser, Heat - LPT Shaft
856A2759	Tool Set, Puller - Seals
856A2760	Ring Support, Handle - Cone Stub Shaft & Disk, Stg. 3
856A2764	Tool Set, Heaters - LPT
856A2766	Ring, Support - Cone Stub Shaft
856A2773	Support, Spacers - LPT Rotor/Case
856A2789	Ring, Centering - Aft Rotating Air Seal
856A2826	Fixture, Holding - No. 4 Bearing Inner Race Bolt
856A2943	Sleeve, Protection - Rear Inner Rotating Air/Oil Seal
856A2968	Tool, Heating - Center Vent Tube
856A3062	Puller, Hydraulic - Rear Rotating Air/Oil Seal
856A3100	Pin, Locating - Center Vent Tube
856A3234	Protector - Center Vent Tube Aft
856A3268	Wrench - Center Vent Tube Sleeve Nut
856A3269	Wrench - No. 5 Bearing Inner Race Nut
856A3279	Puller/Pusher - LPT Disk Sleeves
856A3308	Puller - No. 4 Bearing Inner Race

LPT (CONTINUED)	
PART NUMBER: Engine OEM	DESCRIPTION
856A3315	Puller - Center Vent Tube
856A3385	Wrench - Stg. 1 LPT Disk Bolts
856A3392	Wrench, Torque - Aft Rotating Air/Oil Separator Nut
856A3419	Adapter, Puller - Cover Oil Inlet
856A3432	Tool, Gauge - LPT Stub Shaft to LPT Shaft
856A3443	Puller - No. 5 Bearing Outer Race & Sleeve
856A3483	Ring, Protective - No. 4 Bearing
856A3484	Ring, Protective - No. 5 Bearing
856A3485	Cap, Protective - LPT Shaft Thread
856A3487	Protector - No. 4 Ball Bearing
856A3488	Fixture, Holding - Sectors Support
856A3491	Wrench, Counter - No. 5 Bearing Support Nipple
856A3492	Wrench, Counter - No. 5 Bearing Support Nipple Line
856A3501	Fixture, Alignment/Guide - Booster to LPT Shaft
856A3748	Cover, Protection - LPT Stg. 1 Disk
856A3749	Tool Set, Installation - Stg. 2 & 3 Strips Seal
856A3750	Fixture, Centering - LPT Shaft Module
856A3751	Ring, Holding - Stg. 1 Outer Sta. Air Seal & Turbine Shroud Support
856A3752	Fixture, Removal - Stg. 1, 2 & 3 Outer Sta. Air Seal
856A3755	Tool, Fool-Proof Installation - LPT Stg. 1 & 2 Rotating Air Seal
856A3756	Fixture, Installation - Shield, Stg. 2
856A3757	Fixture, Installation - Shield, Stg. 3
856A3760	Fixture, Assembly/Disassembly - LPT Nozzle Segments, Stg. 2
856A3761	Tool Set, Installation - LPT Outer Sta. Air Seal, Stg. 2
856A3762	Fixture, Assembly/Disassembly - LPT Rotor/Stator
856A3763	Fixture, Assembly/Disassembly - LPT Nozzle Segments, Stg. 3
856A3764	Tool Set, Installation - LPT Outer Sta. Air Seal, Stg. 3
856A3766	Support, Handling - LPT Rotor/Stator
856A3767	Fixture, Handling - LPT Rotor/Stator
856A3788	Tool Set, Installation - LPT Outer Sta. Air Seal, Stg. 2 & 3
856A3790	Fixture, Puller/Pusher - Duct Rear
856A3791	Fixture, Machining - No. 5 Bearing Outer Race Sleeve
856A3792	Fixture, Centering - LPT Shaft to LPT
856A3793	Fixture, Puller/Pusher - Center Vent Tube
856A3794	Ring, Holding - Stg. 1 Outer Sta. Air Seal & Turbine Shroud Support
856A3795	Stand, Mobile - LPT
856A3799	Pin, Guide - No. 5 Bearing Support
856A5944	Tool, Gauge - Position LPT Shaft

Contact Your Regional Sales Director to Discover Additional OEM-Approved CFM56 Tooling!

CFM International, GE Aerospace, or Safran Aircraft Engines approves, qualifies, and recommends AGSE GSE & Tooling for safely handling CFM56 engines.

www.agsecorp.com | +1.513.402.7246 | toolingsales@agsecorp.com





OEM-APPROVED FOR CFM56-5 ENGINES LINE MAINTENANCE & SHOP TOOLING

**EXPERT CONSULTATION | COMPETITIVE PRICING | SHORT LEAD TIMES
QUICK TURN REPAIRS | ROUND-THE-CLOCK AOG SUPPORT**

LINE MAINTENANCE

PART NUMBER: Engine OEM	DESCRIPTION
856A2320	Tool Set, Lubrication - Engine Sumps
856A2501	Wrench, Dual Purpose - VBV Manual Control
856A2537	Protector, Mounting Pin - Accessory Drives
856A2609	Block, Jacking - Fuel Pump & MEC Package
856A2645	Beam, Variable CG - Engine
856A2655	Fixture, Installation/Removal - Radial Drive Shaft Housings
856A2659	Adapter, Filter - Dry Out
856A2663	Adapter, Puller - Splitter Fairing
856A2664	Gauge, Setting - VBV Doors
856A2673	Tool, Installation - Enerseal Seal
856A2677	Fixture, Installation & Removal - Removable Retaining Ring
856A2680	Software, Vibration - No. 4 Bearing
856A2686	Hand Cranking Drive Socket
856A2689	Kit, Connecting - Vibration Analyzer
856A2707	Tool Set, Leak Test - AGB
856A2717	Adapter, Lock - Core Engine
856A2718	Tool Set, Installation/Removal - Manual Drive Horizontal Shaft
856A2719	Fixture, Installation/Removal - TGB
856A2727	Puller - Radial Drive Shaft
856A2737	Tool Set, Leak Test - AGB
856A2754	Fixture, Support - AGB
856A2794	Tool Set, Seal Fitting - AGB & TGB Oil Nipples
856A2796	Protector, Safety - Handcranking Pad
856A2805	Turnbuckle, Installation/Removal - TGB
856A2809	Handle, Removal - Backup Filter Cover
856A2930	Cover, Fitted - Bare & QEC Engine Shipping
856A2947	Gauge - Leading Edge of Fan Blade, Stg. 1
856A2948	Tool, Pressure - Inflatable Fan Blades Liner Patch
856A2949	Template, Check - Fan Blade Leading Edge
856A2953	Pins, Guide - Stator Alternator
856A3409	Pins, Guide - Spinner Rear Cone
856A3471	Adapter, Drive Spline - Fuel Pump
856A3492	Wrench, Counter - No. 5 Bearing Support Nipple Line
856A3519	Sling, Three (3) Legs - AGB Handling
856A3576	Tool, Installation/Removal - Sealol & Magnetic Seals
856A3770	Software, Mapping - Fan Blades
856A5649	Mirror, Inspection - Fan Disk Dovetail Slots
856A5817	Tool, Check - Fan Blade Shank
856A5931	Gauge - Fan Disk Dovetail Slots
856A5942	Gauge - Fan Disk Dovetail Slots

FAN REMOVAL & INSTALLATION

856A1312	Support - Engine Handling
856A2555	Beam, Lifting - Fan Frame
856A3111	Dolly, Trunnion - Fan Frame

FAN ASSEMBLY & DISASSEMBLY

PART NUMBER: Engine OEM	DESCRIPTION
856A1312	Support - Engine Handling
856A2308	Sleeve, Centering & Installation/Removal - Major Module 3 & Maintenance Module 1
856A2310	Fixture, Alignment - Booster to LPT Shaft
856A2311	Tube, Dummy - LPT Shaft FWD End
856A2571	Pins, Guide - No. 1 & 2 Bearing Support
856A2625	Stand, Storage - LP Booster
856A2626	Stand, Storage - No. 2 Bearing Support
856A2667	Tool, Check - AD2 Circular Runout
856A2701	Floor, Protective - Fan Inlet Case
856A2720	Fixture, Machining - Fan Case Abradable Strip
856A2753	Dummy - Accessory Drive
856A2902	Adapter, Dummy - Fan Disk
856A2904	Fixture, Handling - Booster Rotor/Stator
856A2906	Guide, Countertorque Wrench
856A2907	Fixture, Machining - Fan Case Abradable Strip
856A2951	Tool, Counterweight
856A2986	Fixture, Alignment/Guide - Booster to LPT Shaft
856A3111	Dolly, Trunnion - Fan Frame
856A3267	Adapter, Test Rig - No. 1 & 2 Bearing Support, Air Flow Check
856A3409	Pins, Guide - Spinner Rear Cone
856A3510	Adapter, Lift & Turn - Module 2
856A3515	Beam, Extension - Variable CG Lift Fixture
856A3608	Fixture, Axial Loading - Abradable Strip Machining
856A5939	Tool, Measurement - Fan Blade Tip Clearance

FAN BOOSTER REMOVAL & INSTALLATION

856A1312	Support - Engine Handling
856A2308	Sleeve, Centering & Installation/Removal - Major Module 3 & Maintenance Module 1
856A2310	Fixture, Alignment - Booster to LPT Shaft
856A2318	Shield, Thermal
856A2501	Wrench, Dual Purpose - VBV Manual Control
856A2625	Stand, Storage - LP Booster
856A2627	Beam, Lifting
856A2631	Stand, Storage - Fan Blades
856A2632	Puller (General Use)
856A2644	Tool, Holding - Fan Disk
856A2663	Adapter, Puller - Splitter Fairing
856A2701	Floor, Protective - Fan Inlet Case
856A2780	Adapter, Handling
856A2903	Beam, Torque Adaptation
856A2904	Fixture, Handling - Booster Rotor/Stator
856A2905	Wrenches, Loosen/Torque - Fan Disk Coupling Bolts
856A2906	Guide, Countertorque Wrench
856A2946	Ring, Protective - Fan Disk
856A2951	Tool, Counterweight
856A3111	Dolly, Trunnion - Fan Frame
856A3504	Fixture, Puller/Pusher - Module 1 & Major Module 3
856A3515	Beam, Extension - Variable CG Lift Fixture
856A3524	Tool Set, Drive Adapter - Booster & LPT
856A3793	Fixture, Puller/Pusher - Center Vent Tube
856A5939	Tool, Measurement - Fan Blade Tip Clearance

Contact Your Regional Sales Director to Discover Additional OEM-Approved CFM56 Tooling!

CFM International, GE Aerospace, or Safran Aircraft Engines approves, qualifies, and recommends AGSE GSE & Tooling for safely handling CFM56 engines.

www.agsecorp.com | +1.513.402.7246 | toolingsales@agsecorp.com





OEM-APPROVED FOR CFM56-5 ENGINES LINE MAINTENANCE & SHOP TOOLING

**EXPERT CONSULTATION | COMPETITIVE PRICING | SHORT LEAD TIMES
QUICK TURN REPAIRS | ROUND-THE-CLOCK AOG SUPPORT**

NO. 1 & NO. 2 BEARING REMOVAL & INSTALLATION

PART NUMBER: Engine OEM	DESCRIPTION
856A1312	Support - Engine Handling
856A2308	Sleeve, Centering & Installation/Removal - Major Module 3 & Maintenance Module 1
856A2310	Fixture, Alignment - Booster to LPT Shaft
856A2316	Wrench, Loosen/Torque - LPT Coupling Nut
856A2571	Pins, Guide - No. 1 & 2 Bearing Support
856A2616	Sector, Centering - LPT Shaft FWD
856A2626	Stand, Storage - No. 2 Bearing Support
856A2701	Floor, Protective - Fan Inlet Case
856A2709	Support, Forward
856A2780	Adapter, Handling
856A2902	Adapter, Dummy - Fan Disk
856A2903	Beam, Torque Adaptation
856A2906	Guide, Countertorque Wrench
856A2909	Tool Set, Guide Pins - No. 1 & 2 Bearing Support/Fan Frame
856A3510	Adapter, Lift & Turn - Module 2
856A3515	Beam, Extension - Variable CG Lift Fixture

CORE REMOVAL & INSTALLATION

856A2812	Fixture, Dolly - HP Torque
856A2818	Dolly, Tool Seating Check - Core
856A2866	Protector - Fan Shaft
856A2946	Ring, Protective - Fan Disk
856A2997	Gauge, Seating Check - Core to IGB

HPT

856A2821	Washer, Lube Protective - No. 4 Bearing Retainer
856A2822	Fixture, Torque - No. 4 Bearing Retainer

LPT REMOVAL & INSTALLATION

856A2308	Sleeve, Centering & Installation/Removal - Major Module 3 & Maintenance Module 1
856A2310	Fixture, Alignment - Booster to LPT Shaft
856A2316	Wrench, Loosen/Torque - LPT Coupling Nut
856A2412	Ring, Holding - Stg. 1 Outer Sta. Air Seal & Turbine Shroud Support
856A2600	Tool, Guide & Stop - LPT Shaft
856A2618	Fixture, Holding - Rotor/Stator
856A2627	Beam, Lifting
856A2632	Puller (General Use)
856A2647	Stand, Transportation/Storage - LPT
856A2661	Puller - Aft Rotating Air/Oil Separator
856A2668	Kit, Puller Adapters
856A2685	Adapter, Puller - Cover Oil Inlet
856A2710	Fixture, Handling - LPT
856A2717	Adapter, Lock - Core Engine
856A2780	Adapter, Handling
856A2903	Beam, Torque Adaptation
856A2906	Guide, Countertorque Wrench
856A2946	Ring, Protective - Fan Disk
856A2950	Fixture, Centering - LPT Shaft

LPT REMOVAL & INSTALLATION (CONTINUED)

PART NUMBER: Engine OEM	DESCRIPTION
856A2968	Tool, Heating - Center Vent Tube
856A3234	Protector - Center Vent Tube Aft
856A3392	Wrench, Torque - Aft Rotating Air/Oil Separator Nut
856A3419	Adapter, Puller - Cover Oil Inlet
856A3485	Cap, Protective - LPT Shaft Thread
856A3487	Protector - No. 4 Ball Bearing
856A3504	Fixture, Puller/Pusher - Module 1 & Major Module 3
856A3524	Tool Set, Drive Adapter - Booster & LPT
856A3793	Fixture, Puller/Pusher - Center Vent Tube
856A3794	Ring, Holding - Stg. 1 Outer Sta. Air Seal & Turbine Shroud Support
856A5944	Tool, Gauge - Position LPT Shaft
856A5945	Master, Alignment - LPT Shaft

LPT DISASSEMBLY & ASSEMBLY

856A2349	Dolly, Assembly/Disassembly & Storage - LPT Shaft
856A2412	Ring, Holding - Stg. 1 Outer Sta. Air Seal & Turbine Shroud Support
856A2544	Dolly, Trunnion - Turbine Frame
856A2567	Ring, Lift - LPT Shaft FWD
856A2568	Ring, Lifting - LPT Shaft Aft
856A2577	Ring, Locating - No. 5 Bearing Rollers
856A2618	Fixture, Holding - Rotor/Stator
856A2627	Beam, Lifting
856A2646	Dolly, Trunnion - LPT Frame
856A2647	Stand, Transportation/Storage - LPT
856A2710	Fixture, Handling - LPT
856A2712	Sectors, Handling - Turbine Frame
856A2713	Fixture, Build Up - LPT Shaft to LPT
856A2714	Fixture, Hoist - LPT Rotor/Stator
856A2715	Stand, Mobile - LPT
856A2716	Ring, Torque Dispatching - LPT
856A2722	Pins, Guide - Turbine Frame to LPT Case
856A2731	Support, Sectors - LPT Shaft to LPT
856A2756	Diffuser, Heat - LPT Shaft
856A2758	Fixture, Centering - LPT Shaft to LPT
856A2772	Puller - Turbine Rear Frame
856A2943	Sleeve, Protection - Rear Inner Rotating Air/Oil Seal
856A2950	Fixture, Centering - LPT Shaft
856A3234	Protector - Center Vent Tube Aft
856A3247	Guide, Alignment - LPT Frame to LPT Rotor
856A3383	Fixture, Alignment - Turbine Frame or LPT/LPT Shaft
856A3484	Ring, Protective - No. 5 Bearing
856A3485	Cap, Protective - LPT Shaft Thread
856A3487	Protector - No. 4 Ball Bearing
856A3488	Fixture, Holding - Sectors Support
856A3759	Sectors, Handling - Turbine Frame
856A3791	Fixture, Machining - No. 5 Bearing Outer Race Sleeve
856A3792	Fixture, Centering - LPT Shaft to LPT
856A3794	Ring, Holding - Stg. 1 Outer Sta. Air Seal & Turbine Shroud Support
856A3795	Stand, Mobile - LPT

Contact Your Regional Sales Director to Discover Additional OEM-Approved CFM56 Tooling!

CFM International, GE Aerospace, or Safran Aircraft Engines approves, qualifies, and recommends AGSE GSE & Tooling for safely handling CFM56 engines.

www.agsecorp.com | +1.513.402.7246 | toolingsales@agsecorp.com





OEM-APPROVED FOR CFM56-5 ENGINES
**LINE MAINTENANCE &
 SHOP TOOLING**

**EXPERT CONSULTATION | COMPETITIVE PRICING | SHORT LEAD TIMES
 QUICK TURN REPAIRS | ROUND-THE-CLOCK AOG SUPPORT**

TURBINE FRAME REMOVAL & INSTALLATION

PART NUMBER: Engine OEM	DESCRIPTION
856A1312	Support - Engine Handling
856A2544	Dolly, Trunnion - Turbine Frame
856A2627	Beam, Lifting
856A2646	Dolly, Trunnion - LPT Frame
856A2651	Pad, Support - Engine
856A2712	Sectors, Handling - Turbine Frame
856A2722	Pins, Guide - Turbine Frame to LPT Case
856A2772	Puller - Turbine Rear Frame
856A2773	Support, Spacers - LPT Rotor/Case
856A3234	Protector - Center Vent Tube Aft
856A3247	Guide, Alignment - LPT Frame to LPT Rotor
856A3383	Fixture, Alignment - Turbine Frame or LPT/LPT Shaft

IGB & NO. 3 BEARING MODULE REMOVAL & INSTALLATION

856A2310	Fixture, Alignment - Booster to LPT Shaft
856A2616	Sector, Centering - LPT Shaft FWD

TGB REMOVAL & INSTALLATION

856A2414	Fixture, Guide - Radial Shaft
856A2537	Protector, Mounting Pin - Accessory Drives
856A2632	Puller (General Use)
856A2718	Tool Set, Installation/Removal - Manual Drive Horizontal Shaft
856A2719	Fixture, Installation/Removal - TGB
856A2727	Puller - Radial Drive Shaft
856A2805	Turnbuckle, Installation/Removal - TGB

AGB REMOVAL & INSTALLATION

856A2537	Protector, Mounting Pin - Accessory Drives
856A2609	Block, Jacking - Fuel Pump & MEC Package
856A2632	Puller (General Use)
856A2718	Tool Set, Installation/Removal - Manual Drive Horizontal Shaft
856A2754	Fixture, Support - AGB
856A2805	Turnbuckle, Installation/Removal - TGB
856A2953	Pins, Guide - Stator Alternator
856A3519	Sling, Three (3) Legs - AGB Handling

Contact Your Regional Sales Director to Discover Additional OEM-Approved CFM56 Tooling!

